

HR-PA



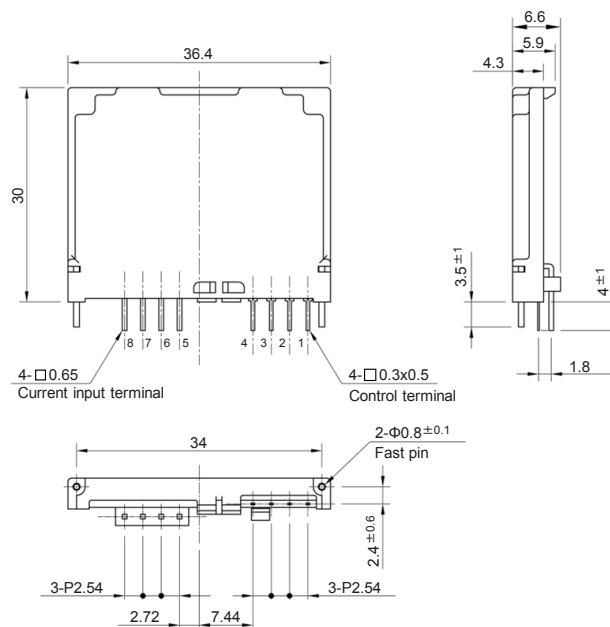
- Rated current 5A ~ 10A
- High accuracy current sensor using the MR element
- For coreless structure, realized low-profile, light-weight and small mounting surface
- Very little hysteresis characteristics
- Superior in response, linearity and temperature characteristics

Applications

Inverters, Servo drivers, Power supply equipment, Uninterruptible power supply (UPS), NC machine tools, Welders

Dimensions

(mm)



- Terminal No.
- 1 ... (-) terminal
 - 2 ... GND
 - 3 ... (+) terminal
 - 4 ... output
 - 5 ... (-) input
 - 6 ... (-) input
 - 7 ... (+) input
 - 8 ... (+) input

Weight : 6g

General tolerance: ±0.5

Specification

Ta=25°C

Type	HR-PA05V1B15H	HR-PA10V1B15H
Rated current [If]	±5A	±10A
Continuously flowing DC current	±4A	±4A
Saturation current [Is]	±10A	±20A
Linearity limits	0~±7.5A	0~±15A
Rated output [Vh]	+If	V0+1V±1% (RL=10kΩ)
	-If	V0-1V±1% (RL=10kΩ)
Residual output [V0]	Within ±20mV	
Output linearity	Within ±0.5%	
Response time	Within 10μs (at di/dt=If/μs.)	
Response performance	Within 10%	
Output Temp. Coef.	Within ±0.05%/°C	
Residual output Temp. Coef.	Within ±0.3mV/°C	
Control power supply	±15V±5%	
Consumption current	Within 15mA+(Input current/Approx.300)	
Operating Temp.	-25°C~+85°C	
Storage Temp.	-40°C~+90°C	
Dielectric withstand voltage	2000V AC 50/60Hz 1minute	
Insulation resistance	Not less than 500MΩ 500V DC	

Note1) Energization time of rated current shall be within 1 minute.

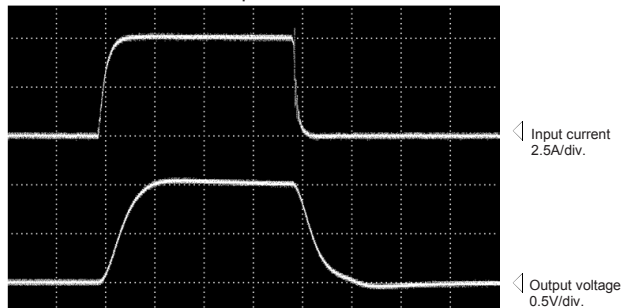
Note2) Energization time of over rated current shall be within 1 second.

Characteristics chart

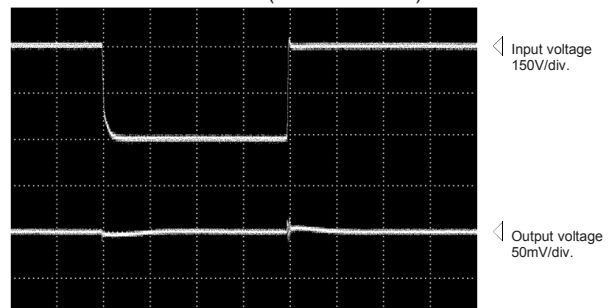
HR-PA05V1B15H

Time base: 5μs/div.

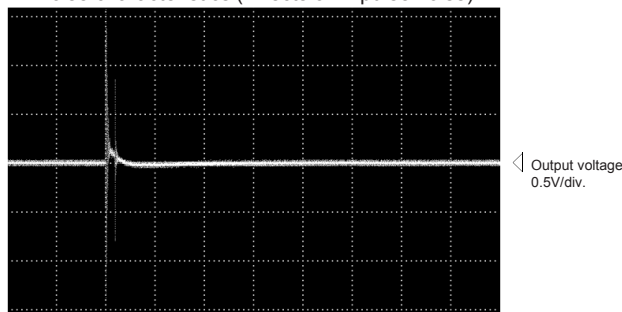
Pulse current response characteristic



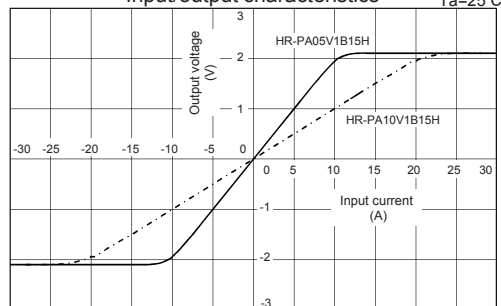
Noise characteristics (Effects of dv/dt)



Noise characteristics (Effects of impulse noise)



Input/output characteristics



Note: The marks "◁" means 0V or 0A.