

HC-UC



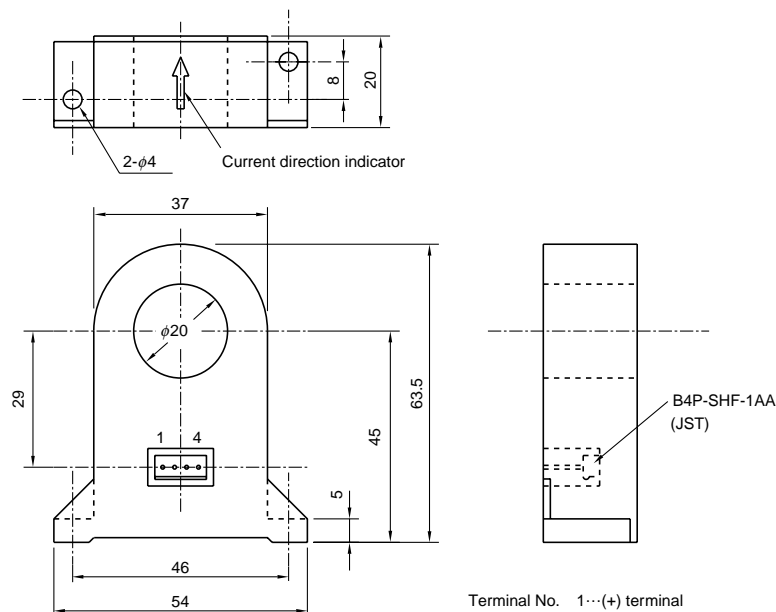
- Rated current2.5A~25A
- With a built-in comparator (open collector)
- With a built-in action delay variable timer
- Possible to detect the flow of AC current (50/60Hz)

Applications

Welders, electric lights, failure detection of fans etc

Dimensions

(mm)



Terminal No. 1...(+ terminal
 2...Output
 3...GND
 4...GND

Weight : 59g

Specification

Ta=25°C

Type	HC-UC0025A10P12	HC-UC005A10P12	HC-UC010A10P12	HC-UC025A10P12
Current	2.5A±0.5A	5.0A±1.0A	10A±1A	25A±2.5A
Output	Open collector Output 100mA (MAX. 200mA)			
ON	Within 1msec			
OFF	Within 7sec±1.5sec (1~10sec variable)			
Output Temp. Coef.	Within ±30% (+5°C~+40°C)			
Control power supply	+12V~+18V			
Operating Temp.	-10°C~+70°C			
Storage Temp.	-15°C~+85°C			
Dielectric withstand voltage	2500V AC 50/60Hz 1minute			
Insulation resistance	Not less than 500MΩ 500V DC			

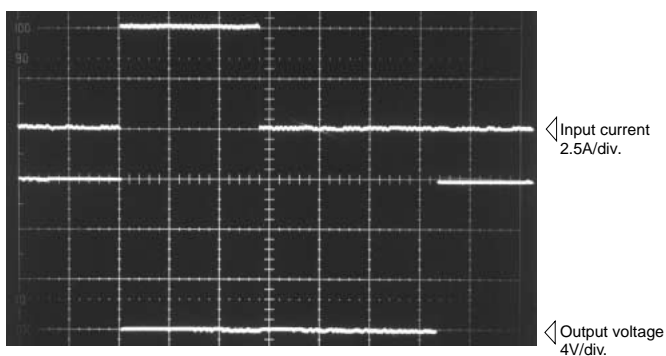
Characteristics chart

HC-UC005A10P12

Time 2μs/div.

Input/output characteristics

Time
2S/div.



Response characteristic

