

HC-WT



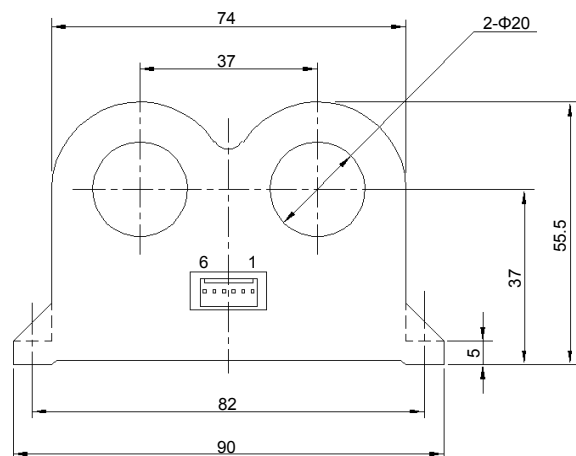
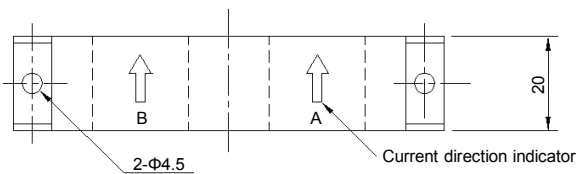
- Rated current 50A ~ 300A
- Two circuits can be measured at the same time
- Single-power supplies also available
- ±12 Volt version also available

Applications

Inverters, Power supply equipment, NC machine tools

Dimensions

(mm)



Supported connector housing
 5051-06 (MOLEX)

- Terminal No.
- 1 - (+) terminal
 - 2 - (-) terminal
 - 3 - A-phase output
 - 4 - GND
 - 5 - B-phase output
 - 6 - GND

Weight : 106g

5045-06AG
 (MOLEX)

General tolerance: ±0.5

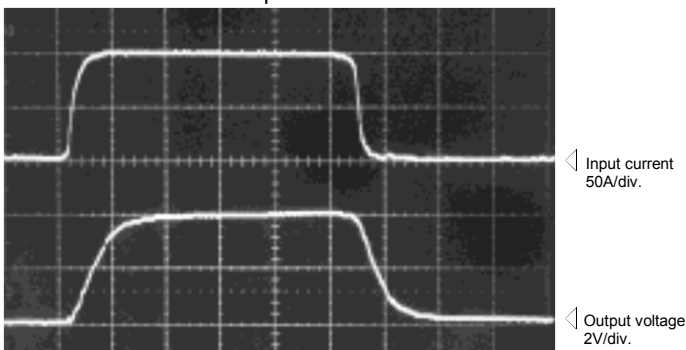
Specification Ta=25°C

Type	HC-WT050V4B15	HC-WT100V4B15	HC-WT300V4B15
Rated current [If]	±50A	±100A	±300A
Saturation current [Is]	±150A	±300A	±700A
Linearity limits	0~±150A	0~±300A	0~±600A
Rated output [Vh]	±4V±1.5%	±4V±1%	
Residual output [Vo]	Within ±50mV	Within ±30mV	
Output linearity	Within ±1%		
Response time	Within 10µs (The smaller one on either at di/dt = 100A/µs or If/µs.)		
Response performance	Within 10%		
Hysteresis voltage range	Within 30mV		
Output Temp. Coef.	Within ±0.08%/°C		
Residual output Temp. Coef.	Within ±2.5mV/°C	Within ±1.5mV/°C	
Control power supply	±15V±5%		
Consumption current	Within 60mA		
Operating Temp.	-10°C~+80°C		
Storage Temp.	-15°C~+85°C		
Dielectric withstand voltage	2500V AC 50/60Hz 1minute		
Insulation resistance	Not less than 500MΩ 500V DC		

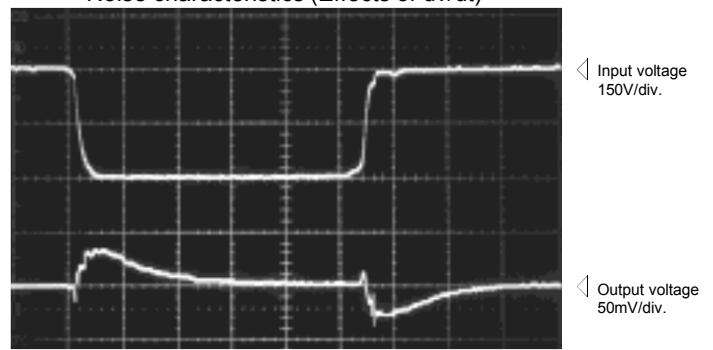
Note1) The indicated rated output is the one when no load is applied.
Note2) The indicated residual output is the one after the core hysteresis is removed.

Characteristics chart HC-WT100V4B15 Time base: 5µs/div.

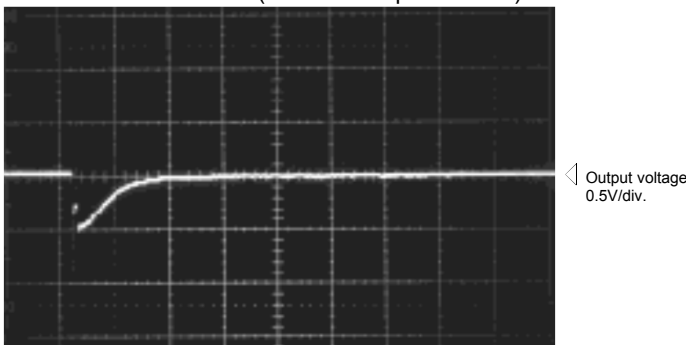
Pulse current response characteristic



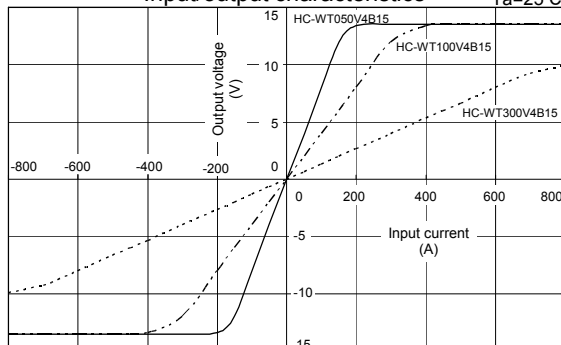
Noise characteristics (Effects of dv/dt)



Noise characteristics (Effects of impulse noise)



Input/output characteristics Ta=25°C



Note: The marks "◁" means 0V or 0A.