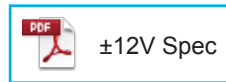


HC-PJ



- Rated current 50A ~ 200A
- Superior noise-resistance
- Ferrite core specification also available (Rated current 50A ~ 100A)
- Single-power supplies also available
- For additional ±12V products, contact sales@dgseals.com or click below

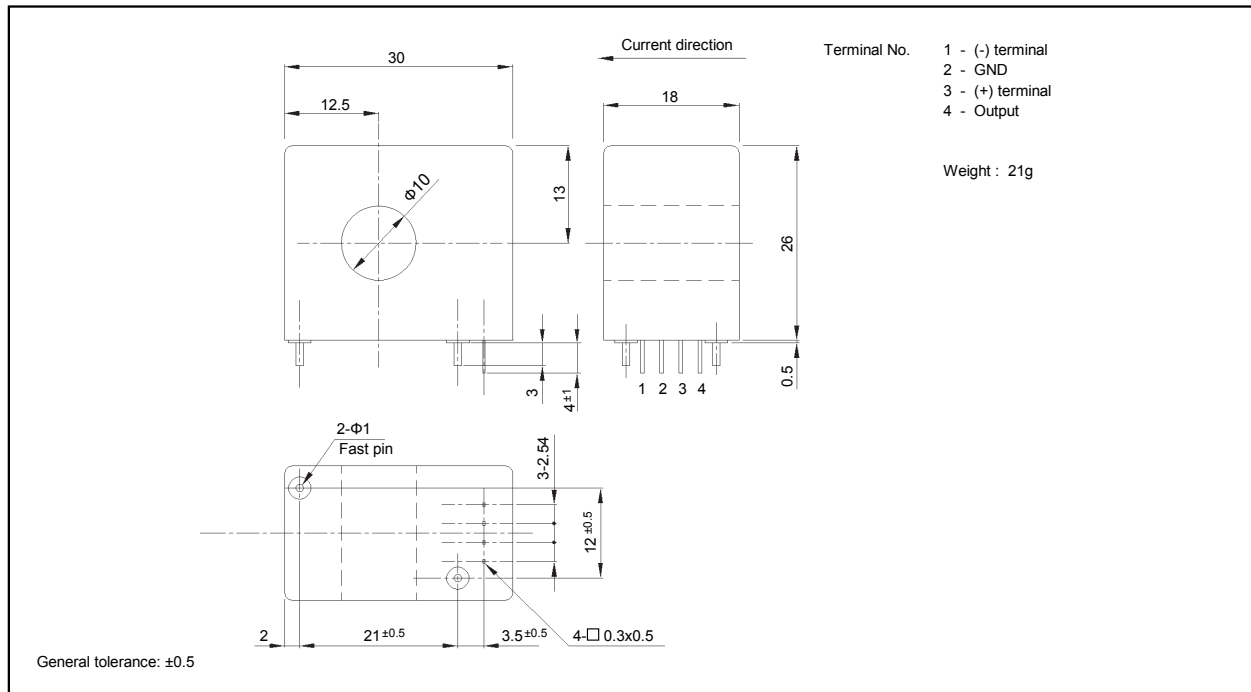


Applications

Inverters, Power supply equipment, NC machine tools

Dimensions

(mm)



**Specification**

Ta=25°C

Type	HC-PJ050V4B15	HC-PJ100V4B15	HC-PJ150V4B15	HC-PJ200V4B15
Rated current [If]	±50A	±100A	±150A	±200A
Saturation current [Is]	±150A	±300A	±450A	±600A
Linearity limits	0~±150A	0~±300A	0~±450A	0~±500A
Rated output [Vh]	±4V±1%			
Residual output [Vo]	Within ±50mV			
Output linearity	Within ±1%			
Response time	Within 10µs (The smaller one on either at di/dt = 100A/µs or If/µs.)			
Response performance	Within 10%			
Hysteresis voltage range	Within 100mV			
Output Temp. Coef.	Within ±0.1%/°C			
Residual output Temp. Coef.	Within ±4mV/°C	Within ±3mV/°C		Within ±2mV/°C
Control power supply	±15V±5%			
Consumption current	Within 30mA			
Operating Temp.	-10°C~+80°C			
Storage Temp.	-15°C~+85°C			
Dielectric withstand voltage	2500V AC 50/60Hz 1minute			
Insulation resistance	Not less than 500MΩ 500V DC			

Note1) The indicated rated output is the one when no load is applied.

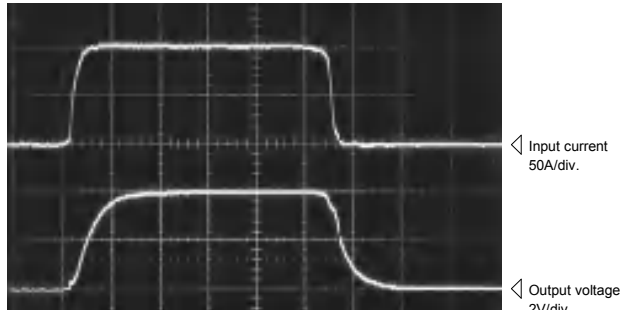
Note2) The indicated residual voltage is the one after the core hysteresis is removed.

**Characteristics chart**

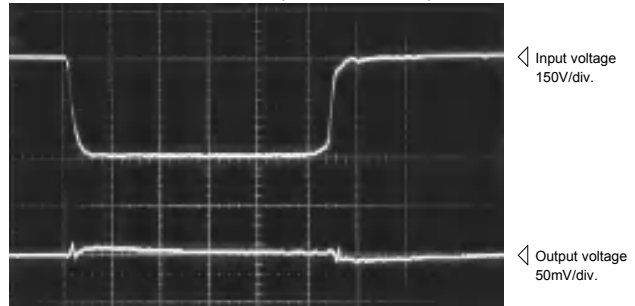
HC-PJ100V4B15

5µs/div. Time base

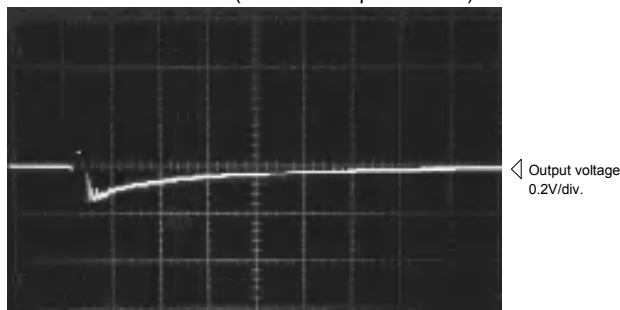
Pulse current response characteristic



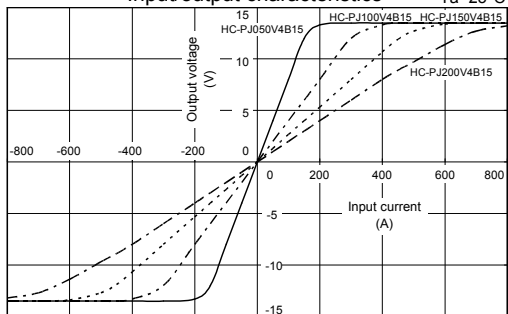
Noise characteristics (Effects of dv/dt)



Noise characteristics (Effects of impulse noise)



Input/output characteristics Ta=25°C



Note: The marks "◁" means 0V or 0A.